

**KBT**

# 132~174/380~570/700~960MHz 1/1.5/3.5dBi SISO Omnidirectional Ceiling antenna

**TQJ-01309XTLD****Application**

Used in VHF/UHF/GSM system

**Electrical specifications**

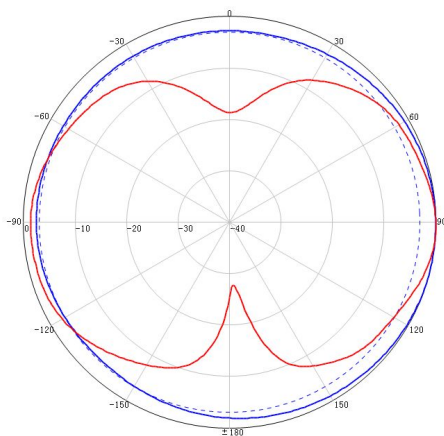
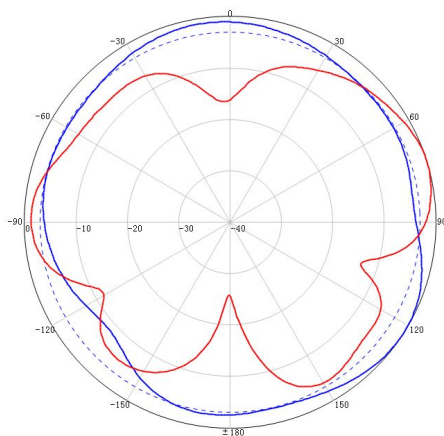
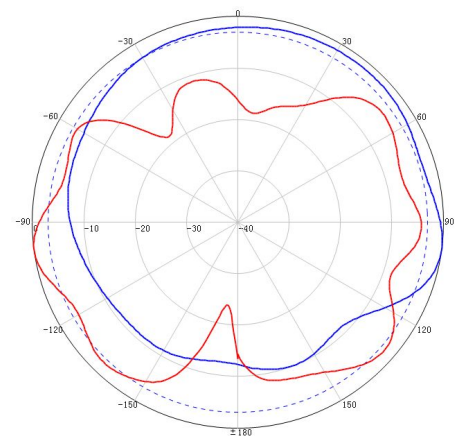
Frequency range (MHz)	132~174	380~570	700~960
Polarization	Vertical		
Maximum Gain (dBi)	1	1.5	3.5
Horizontal beam width (°)	360		
Vertical beam width (°)	90	70	45
Impedance (Ω)	50		
VSWR	≤2.5	≤2.0	≤2.0
Maximum power (W)	25		

**Mechanical specifications**

Connector	N Female
Customized Cable Length (cm)	50
Connector position	Bottom
Antenna size (mm)	390*345*12
Weight (kg)	≤0.55
Antenna color	White
Waterproof	IP65
Operating temperature (°C)	-40~60
Application	Indoor
Mounting	Screw

**Attention!**

VSWR: Antenna mounted on 60cm x 60cm non-metallic surface; Please do not mount the antenna directly on metal surface;

**132~174MHz Typical pattern:****380~570MHz Typical pattern:****700~960MHz Typical pattern:**



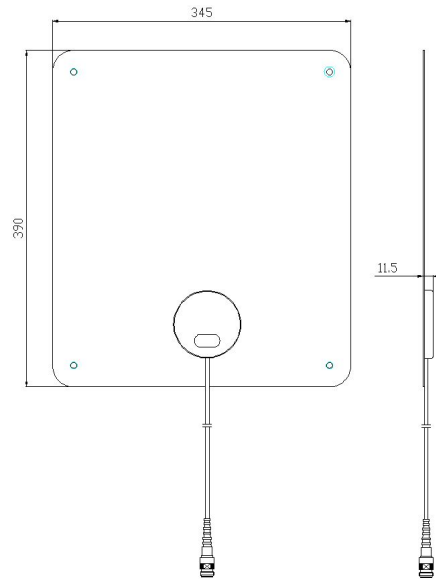
**KBT**

**132~174/380~570/700~960MHz 1/1.5/3.5dBi  
SISO Omnidirectional Ceiling antenna**

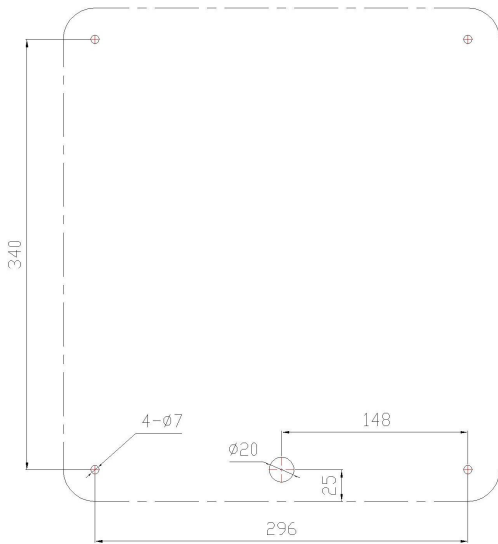
**Product pictures**



**Product size**



## Installation Sketch



**Mounting hole size**

